

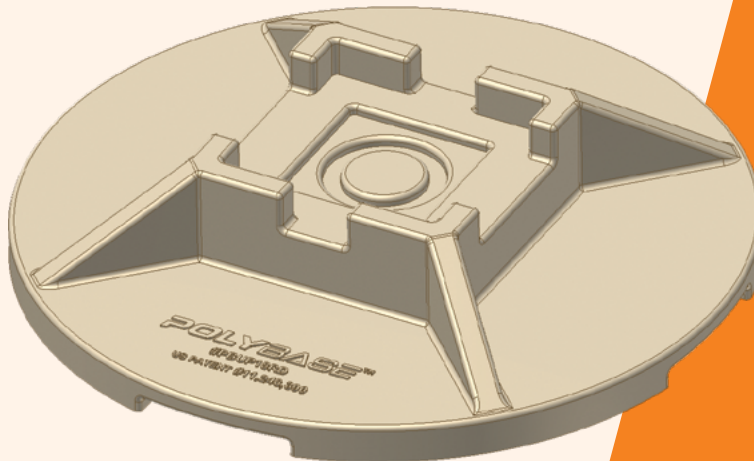
NEW! **POLYBASE®****New Features:**

Stronger
21 kips working/
42 ultimate

Easier to Handle
18" diameter

Lighter
27 lbs
(13% less)

Built-in Pipe Pocket Design

**Advantages:**

- Durable
- Water Impervious
- Freeze Thaw Resistant
- Non-corrosive
- Reusable
- Superior Strength
- Lightweight
- Instant Foundation Support
- Built-in Quality Control

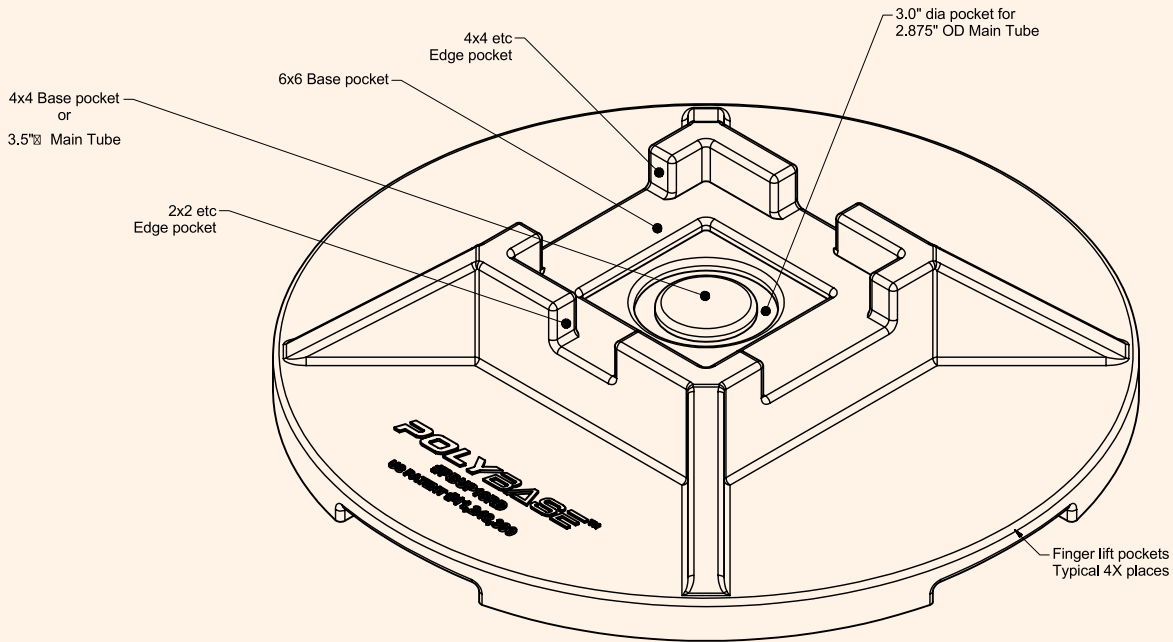
The best precast footing just got an upgrade. The durability, strength, and ease of installation of the original Polybase® made it the superior foundation solution for most interior pier support systems. Now, the redesigned Polybase® has been engineered to be even stronger and lighter, boasting greater load capacities and an easier-to-handle 18" diameter. The innovative Pipe Pocket Design streamlines workflow and reduces cost by eliminating the need for a base plate. Our modular, corrosion-resistant foundation is the strongest, most durable precast foundation in the industry.

Spread the Load with the new Polybase® from STRDY™.

- ✓ Redesigned to improve performance at no additional cost
- ✓ Reinforced with double carbon fiber matting: load capacities increased to 21 kips working/ 42 ultimate
- ✓ Now 43% lighter than conventional concrete blocks
- ✓ Built-in Pipe Pocket Design: Streamlines workflow and reduces cost by eliminating the need for a base plate

Variable Support Functionality & Adaptability

2 7/8" Pipe
4 x 4 Steel Post (flush cut)
4 x 4 Wood Post (minimal)
6 x 6 Wood Post (nominal)
4 x 4 Joist
2 x 4 Joist



Polybase® Allowable and Ultimate Loads

PolyBase®
Model #GB-PBUP18RD2P

ALLOWABLE LOAD (LBF.)	ULTIMATE LOAD (LBF.)
21,000	42,000

* Tested Utilizing 2 7/8" Diameter Schedule 80 Pipe

POLYBASE®

A product of



678-392-3972
1350B Progress Industrial Blvd
Lawrenceville, GA 30043
STRDY.com | info@strdy.com